

JINDAL GASCONNECT

**PRODUCT
CATALOGUE**

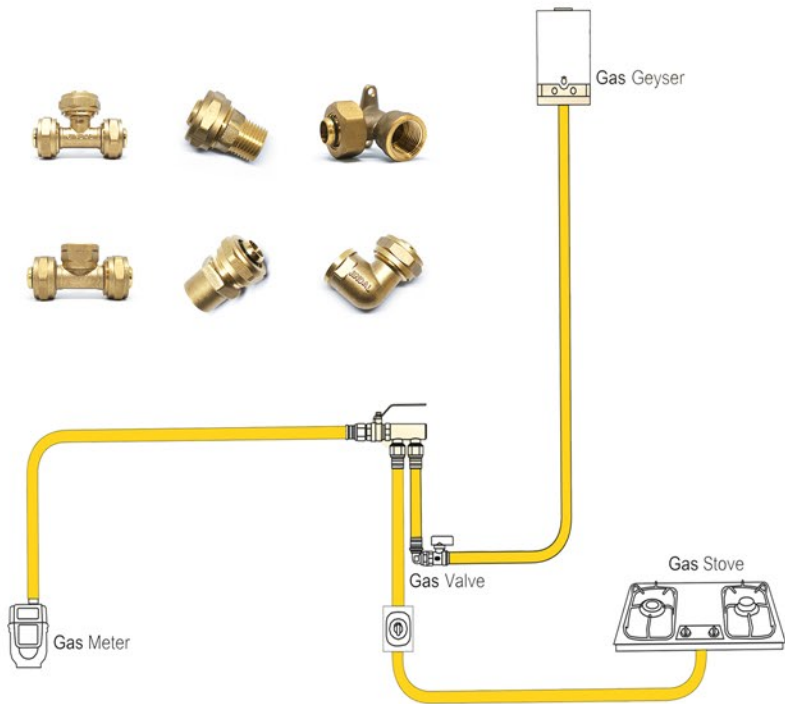


Multi-Layer Composite Pipe and Fittings (PE-AL-PE)
www.jindaltubes.com

JINDAL TUBES
A Unit of D.S. Jindal Group

JINDAL TUBES

INSPIRING INNOVATION



Jindal Tubes, a pioneering force in the pipe manufacturing industry. As a vital part of the renowned DS Jindal Group, our foundation was laid by visionary entrepreneur Arvind Jindal, with a mission to transform India's plumbing landscape through innovation and technology. Inspired by our tagline, "Inspiring innovation," we embarked on a journey to revolutionize the Indian piping systems by introducing German-engineered Multi-Layer Composite Pipes (PE-AL-PE Pipes) to the market, a concept previously unexplored in our country.

Jindal Gas Connect system combines the advantage of metal and plastic, and eliminates the disadvantages of both materials at the same time. The aluminium core is absolutely diffusion tight and reliably prevents oxygen or gases from permeating. It compensates and reduces snap-back and heat expansion with changes in temperature.

Jindal Gas Connect Pipes and fittings are manufactured with the latest german technology at our state of the art facility in Dehradun, Uttarakhand, India

Jindal Gas Connect Pipes are an ideal choice for indoor and outdoor installations. The pipes conform to stringent international standards for gas piping systems and multilayer piping technology.

SIZE RANGE	COIL LENGTH
16mm	200 mtr
20mm	200 mtr
25mm	100 mtr
32mm	100 mtr
40mm	100 mtr
50mm	50 mtr

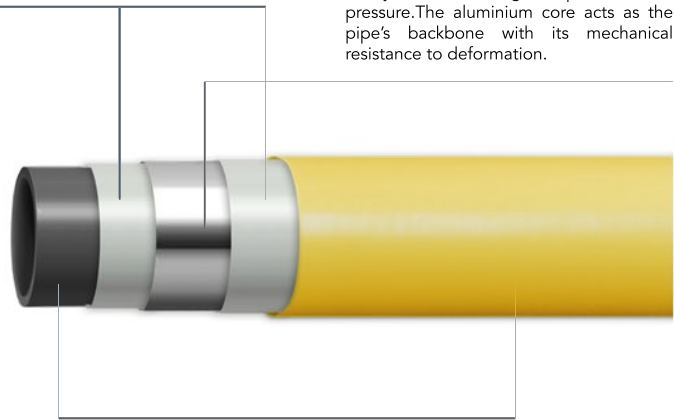


Adhesive Layers

The adhesive layer perfectly bonds the polyethylene and aluminium layers and absorbs the eventual shifting movements between the layers.

Aluminium Core

The aluminium core stays where it lays and has high mechanical strength. It has the ability to withstand high temperatures and pressure. The aluminium core acts as the pipe's backbone with its mechanical resistance to deformation.



Internal & External Polyethylene Layers

The Polyethylene layers are lightweight, flexible and chemically inert. It Provides a smooth surface for better flow and is a food grade material.



JOINT-FREE
Piping System

Available in Rolls of 100m & 200m
(Depending on the Pipe Size)



50 Years of working life



Hygienic, Toxic free, Rust free and no growth of micro-organisms



Easily bendable never springs back



Easy installation and wide range of usage



Light in weight, easy to carry and store



Low expansion and contraction



Quite flow



Fire retardant

View Complete Product range here



Jindal Pe-x Tubes Pvt Ltd
DSM-311-312, 3rd Floor,
DLF Tower, Shivaji Marg,
Moti Nagar, New Delhi - 110015

Helpline: +91 875 0075 007
+91 906 0700 000

Info@jindaltubes.com
www.jindaltubes.com